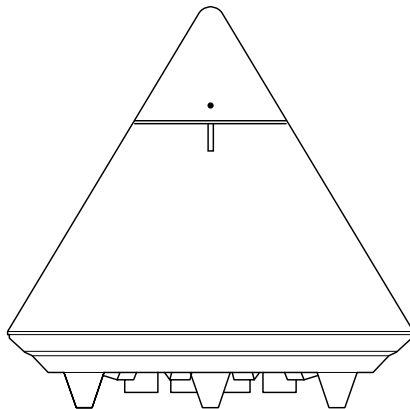




**TDA501II Amplifier**  
**Amplifier for TD307PAII**  
**Amplifier for TD508PAII**

**OWNER'S MANUAL**



Thank you for your purchase of the Amplifier.

Please read this instruction manual carefully and use the product correctly.

Before use, be sure to read "Using the Amplifier Safely and Correctly".

Please keep this instruction manual together with the warranty in a place where it can be accessed at any time.

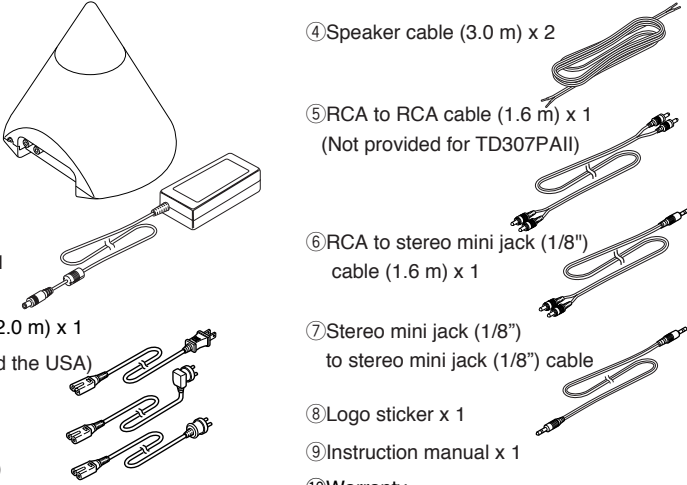
# Contents

## ■ Contents

Introduction.....	12
Using the Amplifier Safely and Correctly.....	13
Precautions on Use.....	15
Names and Functions of Parts.....	16
Example of Connection.....	18
Care and Specifications.....	19
Warranty and After Service.....	20

# Introduction

## ■ Packed items

- ① Amplifier x 1
  - ② AC adaptor x 1
  - ③ Power cable (2.0 m) x 1  
(For Japan and the USA)  
(For the UK)  
(For Germany)
  - ④ Speaker cable (3.0 m) x 2
  - ⑤ RCA to RCA cable (1.6 m) x 1  
(Not provided for TD307PAII)
  - ⑥ RCA to stereo mini jack (1/8") cable (1.6 m) x 1
  - ⑦ Stereo mini jack (1/8") to stereo mini jack (1/8") cable
  - ⑧ Logo sticker x 1
  - ⑨ Instruction manual x 1
  - ⑩ Warranty
- 

This amplifier is designed based on the time domain logic to demonstrate the speaker's capacity to the maximum.

### <<What is time domain logic?>>

Time domain logic is a logic that was developed to correctly reproduce the variation over time from the point where the sound waves appear to the point where they disappear, and make the waves of the reproduced sound as faithful as possible to the original sound.

"Time domain audio systems" that enhance reproducibility using time domains following this logic have made it possible to more faithfully reproduce the orientation of sound, and fine and delicate expressions imparted to music by the performer.

# Using the Amplifier Safely and Correctly

## ■ Before Use

The following indications are given in this instruction manual and on the product itself to ensure that you use the product safely and correctly, and to prevent hazards posed to the customer or other people, and damage to property. Make sure you understand the information in these indications before reading the main text.



### WARNING

Ignoring this indication and handling the product incorrectly may lead to death or serious injury.



### CAUTION

Ignoring this indication and handling the product incorrectly may lead to injury or property damage.



## WARNING

- Do not use any voltage other than that marked on the product body.  
This can lead to fire, electric shock, or product failure.
- Do not open the amplifier cabinet.  
This can lead to electric shock or injury. If internal inspection, adjustment or repairs are required, please consult Fujitsu Ten.  
Do not modify the product.  
This can lead to fire or electric shock.
- Do not use the amplifier in a bathroom, anywhere where it will be exposed to rain, or in an environment with high humidity.  
This can lead to fire or electric shock.
- Do not place a vase, flower pot, cup, or any vessel containing cosmetics, chemicals or water on or near the amplifier.  
If water or foreign matter gets inside the amplifier, it could lead to fire or electric shock.
- Do not use any power cable other than the one supplied with the product.  
Using another power cable could lead to fire or accidents.
- Do not damage the power cable, bend it excessively, twist it, modify it, or rest the amplifier on it.  
Note also that resting heavy objects on the power cable, subjecting it to heat or pulling on it could break the cable, leading to fire or electric shock.
- Do not make too many connections at the same location.  
This can cause fire due to heat generation.
- If the power cable is damaged (i.e. the wire cores are exposed or broken), replace it.  
Continuing to use a damaged cable can lead to fire or electric shock.
- If you notice any abnormal status, such as an abnormal noise, heat buildup on the plug or cable, emission of smoke, or a strange smell, switch the power off, disconnect the cable from the power outlet, and request an inspection.  
Continuing to use the product in the abnormal status could lead to fire or electric shock.
- If you drop or break the amplifier, turn off the power switch on the equipment itself, remove the plug (POWER) from the power outlet, then contact Fujitsu Ten. Continuing to use the amplifier in this condition may lead to fire or electric shock.
- When thunder starts, for the sake of safety, promptly remove the plug from the power outlet and avoid touching the antenna wire or plug. Thunder can lead to fire, electric shock, or product failure.

## CAUTION

- Do not remove the plug from the power outlet by pulling on the cable.  
This can damage the cable, leading to fire or electric shock.
- Do not insert or remove the power plug with wet hands.  
This can lead to electric shock.
- Do not run the power cable close to hot equipment.  
The insulation on the cable will melt, leading to fire or electric shock.
- Plug the power supply plug into the outlet up to the base of the pins. If it is incompletely inserted, heat will be generated and may lead to a fire when dust settles. In addition, anyone touching the pins of the plug may sustain an electric shock.
- Do not connect to a power outlet in which the power plug is loose even though it has been inserted up to the base of the pins. Heat will be generated and may lead to a fire. Request an electrician to inspect the outlet.
- If dust or metal debris adheres to the pins of the power plug or close to them, take the power plug out of the outlet and remove the dust/metal with a dry cloth. Using the plug with the dust/metal present can lead to fire or electric shock.
- Do not place the amplifier in or overhead or unstable locations, such as on a rickety stand or a platform with a slope. The amplifier may fall, leading to injuries or product failure.
- Do not place the amplifier in a location where it will be exposed to oil smoke or water vapor, such as next to a kitchen table or humidifier. This can lead to fire or accidents.
- Do not place the amplifier in a location where it is struck directly by a cool air stream.  
This can lead to condensation, current leakage or burning.
- Do not place the amplifier in a location where it is exposed to direct sunlight for long periods of time or close to heating equipment. This can lead to deformation or discoloration of the cabinet, or to fire.
- Do not place the amplifier in any extremely cold location.  
This can lead to product failure or accidents.
- Do not place the amplifier close to naked flame.  
This can lead to product failure or accidents.
- If there is any radio interference due, for example, to proximity to a tuner, install the tuner and amplifier at a greater distance from each other.
- Before moving the amplifier, first switch off the power supply to the connected devices and disconnect the power supply cable, the connecting cables to each device, the speaker cables, and so on.  
If you move the amplifier with the cables connected, a cable could be damaged, leading to fire or electric shock.
- Before cleaning/caring for the product, be sure to switch off the power supply and remove the power cable plug from the power outlet. Otherwise you could sustain an electric shock or injuries.
- If you do not use the amplifier for a long time, for example when you are on vacation, for the sake of safety always switch off the power supply and remove the power cable plug from the power outlet.  
Otherwise there will be a danger of fire.
- Before connecting a TV or any other audio device, be sure to switch off the power supply, carefully read the instruction manuals of the devices involved, and make the connections in accordance with the directions in these manuals.
- Before turning on the power, make sure that the volumes of the subwoofer and the amplifier are set to minimum.  
Otherwise a very loud noise could suddenly be generated, causing hearing impairment or other problems.
- If you hear an abnormal sound while the audio equipment is operating at a high volume, turn the volume down.  
If you continue to use the amplifier at the high volume, or use it for a long time while it is producing distorted sound, the speaker will heat up, and this could lead to fire.

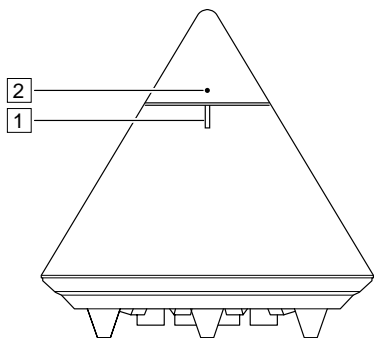
# Precautions on Use

- Before turning the power on, and before switching inputs, always set the volume to minimum.  
A sudden large output could damage the connected speaker system.
- Depending on the location, your enjoyment of music could annoy other people. Please set the volume to a suitable level so as not to disturb the neighbors.  
At nighttime particularly, even a low volume of sound will travel.  
Please respect each other's concerns so as to maintain a comfortable living environment.
- Make sure that the power to all devices is off before connecting the speaker.  
If the speaker cord is short-circuited accidentally, it activates the protection circuit in the amplifier, leading to a temporary suspension of voice output.  
In such occasion, disconnect the power cable plug from the outlet temporarily, repair then the short-circuit and reconnect the plug to use the amplifier.  
The negative side of the amplifier output is not connected to the ground. Take care not to connect it to the negative side of other devices using the speaker selector, or others.
- If the amplifier becomes soiled, wipe it lightly with a soft cloth moistened with a neutral detergent.  
Do not use thinners or benzene.

# Names and Functions of Parts

## ■ Main Unit

ENGLISH



### 1 Power indicator

It glows when the power is turned "ON".

### 2 Power supply switch with the volume adjust function

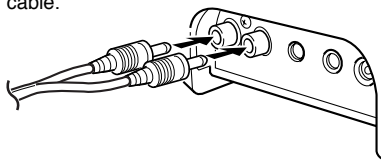
The knob turns "ON" or "OFF" the power supply and adjusts the sound volume. Turning the knob to right turns on the power with a "click" sound and raises the sound volume. Turning the knob to left brings down the sound volume and turns OFF the power supply ultimately with a "click".

\* When connecting to a player like a portable CD player or the headphone terminal of PC or other devices, raise the sound volume appropriately at the player or PC.

### 3 RCA line input terminal (LINE 1)

Connect the devices with the RCA cable.

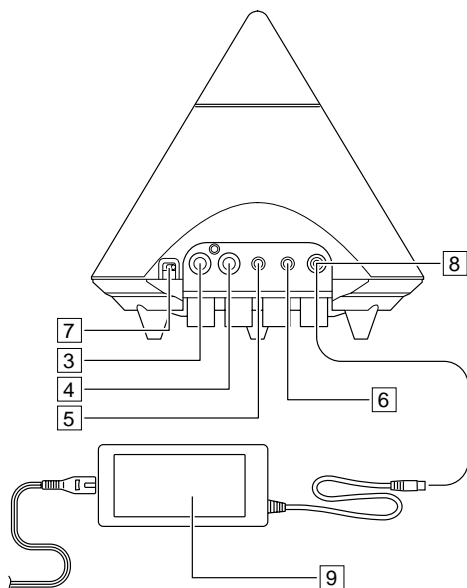
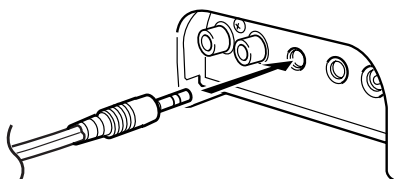
\* When connecting to a player like a portable CD player or the headphone jack of PC, use the attached RCA to stereo mini jack (1/8") cable.

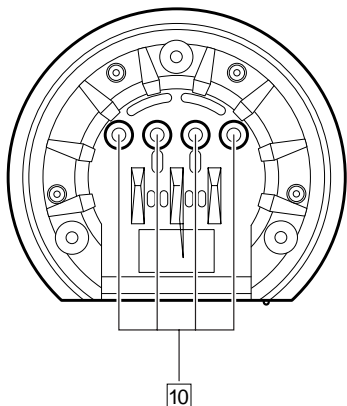


### 5 Stereo mini jack (1/8") line input terminal (LINE 2)

Connect the devices with the stereo mini (1/8") cable.

\* When connecting to a player like a portable CD player or the headphone jack of PC, use the attached stereo mini jack (1/8") to stereo mini jack (1/8") cable.





#### 4 Stereo mini jack (1/8") line output terminal

This is the terminal to output signals from the amplifier to the subwoofer. Sound volume will change interlocked with the turns of volume adjust knob on the amplifier.

\* The product has not the low pass filter function. Adjust it at the subwoofer side.

\* If connected to this terminal, the bypass filter function applies to the speaker output. (Cut-off frequency: 80Hz)

#### 5 Line input selector switch

This switch selects the line inputs to the amplifier.

Left side: RCA line input (LINE 1)

Right side: Stereo mini jack (1/8") line input (LINE 2)

#### 6 Power supply terminal

This connects to the power supply.

\* Never use any AC adaptor other than the attached in any event.

Otherwise it could lead to fault or fire.

#### 7 AC adaptor

#### 8 Speaker output terminals

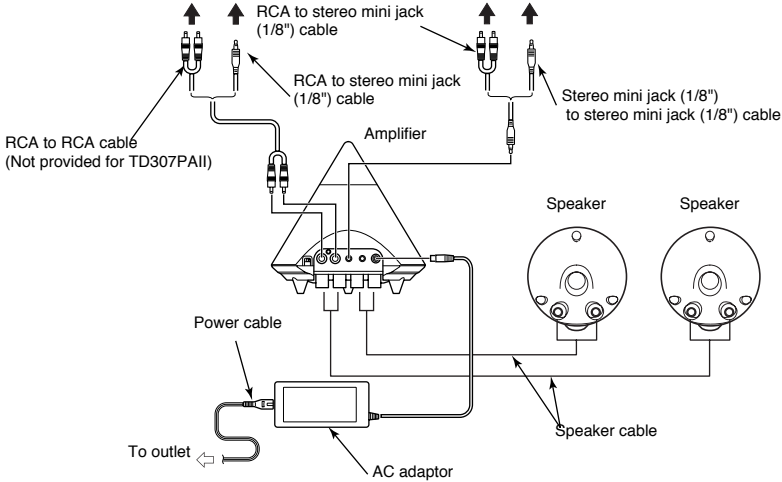
When connecting, connect it securely with care not to touch the end of speaker cord to next terminal.

# Example Connection

## ■ Player + Amplifier + Speaker

To the line output terminal of CD player or other devices  
To the headphone output terminal of PC or other devices

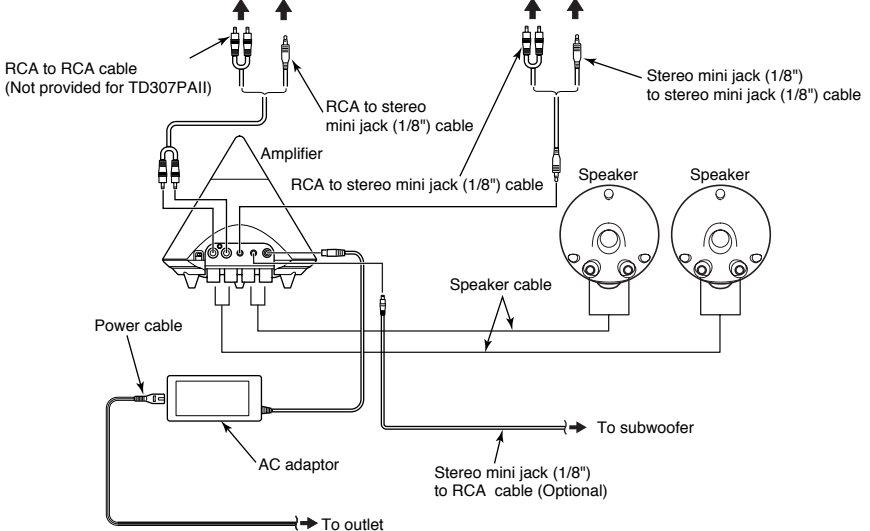
To the line output terminal of CD player or other devices  
To the headphone output terminal of PC or other devices



## ■ Player + Amplifier + Speaker + Subwoofer

To the line output terminal of CD player or other devices  
To the headphone output terminal of PC or other devices

To the line output terminal of CD player or other devices  
To the headphone output terminal of PC or other devices



# Care and Specifications

## ■ Care

Before attending to the care of the amplifier, be sure to turn the power OFF and remove the power cable plug from the power outlet. Remove any soiling on the product by wiping lightly with a soft cloth.

If the soiling is severe, wet the cloth with water, wring it out well, wipe the soiling off, and then finish with a dry cloth.

Do not wipe the product with benzene or any thinner.

This could damage the surface of the cabinet.



## ■ If the amplifier operates abnormally

If, during use, the amplifier is subjected to strong external noise (abnormal power supply voltage caused by excessive impact, static electricity, or a lightning strike), or it is handled incorrectly, it may stop operating correctly.

If this happens, turn the POWER switch "OFF".

Upon turning the power back ON, check that operation is normal.

(If the fault remains, please contact Fujitsu Ten.)

## Notice for WEEE directive

In accordance with the WEEE directive, whenever this product is sold in member states of the EU after August 13, 2005 it must mandatorily bear the WEEE mark.

When disposing of this product in an EU member state, do so in accordance with the laws of that state, for example by returning it to the distributor.

WEEE : Waste Electrical and Electronic Equipment.

## ■ Specifications

Please note that the specifications and external appearance of the amplifier are subject to change without notice for the sake of improvement.

[Amplifier section]

Rated output : 12 W  
(Load 8  $\Omega$ , THD: At 1%)

Max. output : 15 W  
(Load 8  $\Omega$ , THD: At 10%)

Output type : BLT output  
Total high frequency distortion factor :  
0.05% (At 1 W output: 1 kHz)

Frequency characteristic : 10 Hz to 100 kHz  
(+/-3 dB)

Input sensitivity : 180 mVrms  
(At 12 W output)

Signal/noise ratio : 85 dB  
Degree of separation : 50 dB

Input impedance : 10 k $\Omega$   
Compatible load impedance : 8  $\Omega$

Outside dimensions :  
W 159 x D 137 x H 154 (mm)

Weight : 930g

[AC adaptor]

Input voltage : 100 VAC (Japan)  
120 VAC (North America)  
230 VAC (Europe)

Output voltage : +17 VDC

Output current : 2.9 ADC

Outside dimensions:  
W 121 x D 56 x H 33 (mm)

Weight : 360 g

# Warranty and After Service

## ■Warranty (appended)

Read the warranty carefully and then keep it in a safe place.

Term of the warranty

The term is one year from the date of purchase.

Note that charges may be made even during the warranty term: read the warranty carefully.

## ■Minimum retention time of performance parts for repairs

The minimum retention time for performance parts for repairs to this product is 8 years after manufacture ceases.

This term is in accordance with MITI guidelines.

“Performance parts for repairs” means those parts that are necessary to maintain the performance of the product.

## ■For consultation about repairs or any point you are unsure about:

Please use the contact details below for “Fujitsu Ten ECLIPSE TD information.”

### Eclipse TD (UK) Ltd

Tel : +44 (0)20 7328 4499

Fax : +44 (0)20 7624 6384

mailto : info@eclipse-td.co.uk

## ■When repairs are requested


[During the warranty term]

Please submit the warranty certificate when requesting repairs.

We will repair the product in accordance with the stipulations on the warranty.

[After the warranty term has ended]

If the product can be made usable through repairs, we will undertake the repair work on a fee-charging basis.

Inspect your audio equipment for a long service life!	
 Caring Inspections	<p>Have you noticed any of these symptoms?</p> <ul style="list-style-type: none"><li>●The power cable or plug is abnormally hot.</li><li>●There is a burning smell.</li><li>●There is a deep cut in the power cable or it is deformed.</li><li>●Other abnormalities or failures</li></ul>



<p><b>Stop Using the Product.</b></p> <p>To prevent product failure or accidents, turn the power off, remove the power cable from the power outlet, and request an inspection without fail. For details about the charges for inspection and repairs, contact Fujitsu Ten.</p>
--